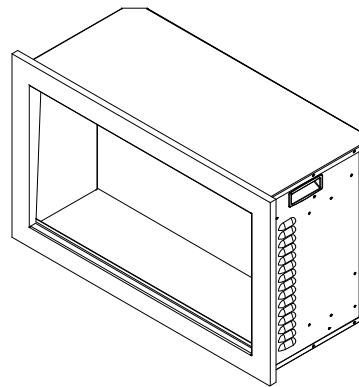




## INSTALLATION AND OPERATION INSTRUCTIONS FOR

**TRD-26**  
**TRD-30**  
**TRD-33**  
**TRD-38**  
**TRD-44**  
**TRD-48**



### SAFETY INFORMATION

 **WARNING**

**For your safety, always comply with all warnings and safety instructions contained in this manual to prevent personal injury or property damage.**

Do not store or use gasoline or other flammable vapors and liquids in the vicinity of this appliance.

**INSTALLER: LEAVE OWNER'S MANUAL WITH THE APPLIANCE.**

**CONSUMER: RETAIN OWNER'S MANUAL FOR FUTURE REFERENCE.**



**WARNING:** This product can expose you to chemicals including Lead in the wiring, which is [are] known to the State of California to cause birth defects or other reproductive harm. For more information visit: [www.p65warnings.ca.gov](http://www.p65warnings.ca.gov)

Please read and carefully follow all of the instruction found in this manual. Please pay special attention to the safety instructions provided in this manual. The instructions included here will assure that you have many years of dependable and enjoyable service from your Amantii Electric Fireplace

## Table of Contents

IMPORTANT INSTRUCTIONS .....	3
UNPACKING AND TESTING APPLIANCE .....	4
GROUNDING APPLIANCE .....	4
CHOOSING FIREPLACE LOCATION .....	4
TRD-26 .....	5
TRD-30 .....	6
TRD-33 .....	7
TRD-38 .....	8
TRD-44 .....	9
TRD-48 .....	10
INSTALLATION BUILT-IN .....	11
INSTALLATION OUTDOOR .....	12
HARD- WIRE INSTALLATION .....	16
MEDIA OPTIONS .....	17
OPERATION .....	18
MANUAL OPERATION .....	18
REMOTE CONTROL OPERATION .....	19
INSTALLING WALL THERMOSTAT .....	20
REPLACEMENT PARTS .....	21
EXPLODED VIEW .....	23
TROUBLESHOOTING .....	24
SERVICE HISTORY .....	25
WARRANTY .....	26

## IMPORTANT INSTRUCTIONS

PLEASE RETAIN THIS USER GUIDE FOR FUTURE REFERENCE

When using electrical appliances, basic precautions should always be followed to reduce the risk of fire, electric shock, and injury to persons, including the following:

- 1) Read all instructions before using this fireplace
- 2) The fireplace is hot when in use. To avoid burns, do not let bare skin touch hot surfaces. Keep combustible material such as furniture, cushions, bedding, paper, clothes, curtains at least 3 feet from the front of the unit
- 3) Extreme caution is necessary when any heater is used near children and whenever the unit is left operating and unattended
- 4) Do not operate a fireplace with a damaged cord or plug, or if the heater has malfunctioned, the fireplace has dropped or damaged in any manner
- 5) Not all fireplaces are suitable for use in bathrooms or laundry facilities. Please consult with individual product literature to confirm suitability
- 6) Do not run the cord under carpeting. Do not cover cord with throw rugs, runners or the like. Arrange the cord away from traffic area and where it will not be tripped over
- 7) Do not modify this fireplace. Use it as described in the manual. Any other use not recommended by the manufacture may cause fire, shock or injury to persons
- 8) Do not use this heater with a programmer, timer, separate remote-control system or any other device that switches the heater on automatically, since a fire risk exists if the heater is covered or positioned incorrectly
- 9) Disconnect all power supply before cleaning, maintenance or relocation of the fireplace
- 10) Keep the heater clean. Do not allow any objects to enter any ventilation or exhaust opening as this may cause electric shock, fire or damage to the heater
- 11) Do not immerse the cord, plug or any part of the appliance in water or any other liquid
- 12) In order to avoid a hazard due to inadvertent resetting of the thermal cut-out, this appliance must not be supplied through an external switching device

**CAUTION:** Procedures and techniques, which, if not carefully followed, will result in damage to the equipment.

**WARNING:** Procedures and techniques, which, if not carefully followed, will expose the user to the risk of fire, serious injury, illness or death.

## UNPACKING AND TESTING APPLIANCE

Carefully remove the appliance from the box.

Prior to installing the appliance, test to make sure the appliance operates properly by plugging the power supply cord into a conveniently located 120 Volt grounded outlet.

Test all aspects of its operation (manual switches, remote and heater) to make sure all components operate correctly.

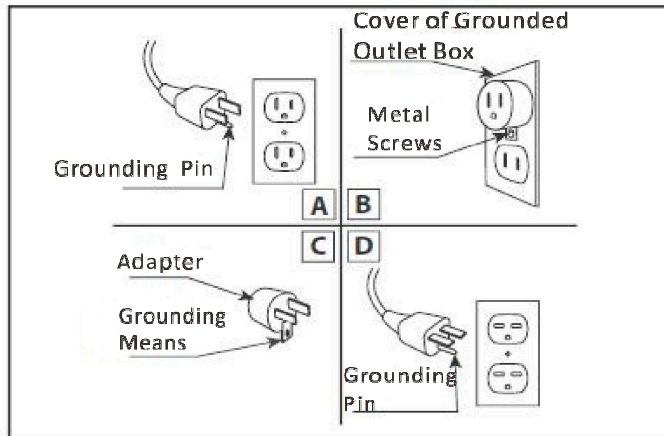
As with most electronic devices, your electric fireplace has been designed to operate at temperatures between 5 °C (41°F) and 35°C (95°F). During the cold winter months, allow the fireplace to reach room temperature before turning it on.

**NOTE: There may be trace odor during the first few minutes of initial use. This is harmless, normal, and will never occur again.**

## GROUNDING APPLIANCE

This appliance is for use on 120 volts. The cord has a plug as shown in (A). An adapter as shown in (C) is available for connecting three-blade grounding type plugs to two-slot receptacles. The green grounding lug extending from the adapter must be connected to a permanent ground such as a properly grounded outlet box. The adapter should not be used if a three-slot grounded receptacle is available.

To disconnect appliance, turn controls to off, then remove plug from outlet.



## CHOOSING A LOCATION FOR THE FIREPLACE

Plan where to place and frame the fireplace. Before installation consider the following:

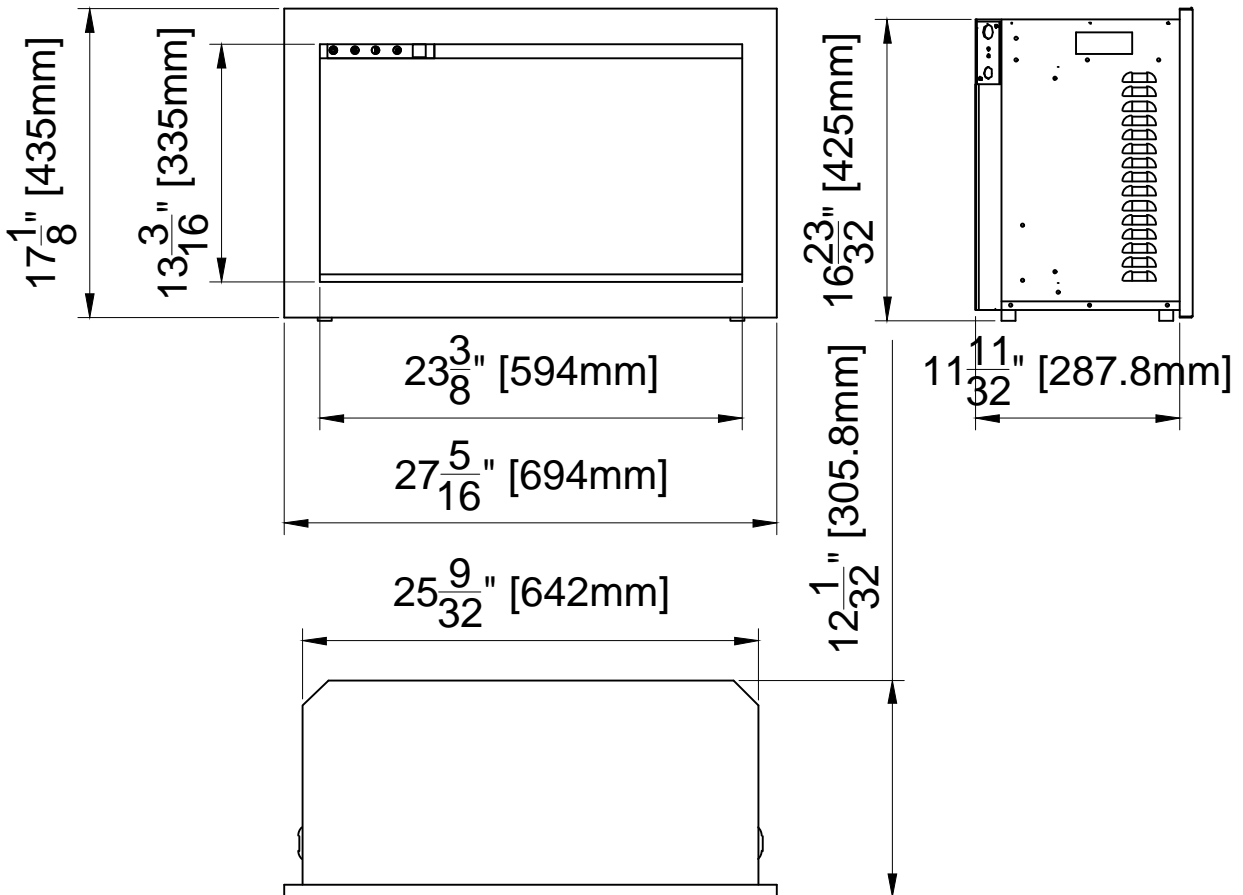
1. The location of the fireplace must allow for wall and ceiling clearances.
2. Consider a location where the fireplace screen will not be exposed to direct sunlight from windows or doors.
3. A 15 ampere, 120 Volt, 60 Hz branch circuit with proper ground must be available at the location. A dedicated branch circuit should be provided to avoid circuit breakers to trip or fuses to blow.

TRD - 26

Description	ELECTRIC FIREPLACE
Voltage	120V AC 60Hz
Watts	1200W Max
NO HEATER	22W
MOTOR HEATER	19W
Appliance Width	25 9/32" or 64.2 cm
Appliance Height	16 23/32" or 42.5 cm
Appliance Depth	11 11/32" or 28.78 cm
Gross Weight	57.5 lbs or 26.1 kgs
Plug Location	Left side
Cord Length	70 7/8" or 180 cm
Rough Wall Opening Size	26 1/4" x 16 27/32" 66.74 cm x 42.78 cm
BTU	4095

This appliance has been tested in accordance with the UL Standard 2021 for fixed and location dedicated electric room appliances in the United States and Canada. If you need assistance during installation, please contact your local dealer.

**NOTE: This appliance must be electrically wired and grounded in accordance with local codes. In the absence of local codes, use the current CSA C22.1 Canadian Electrical Code in Canada or the ANSI/NFPA 70 National Electrical Code in the United States.**

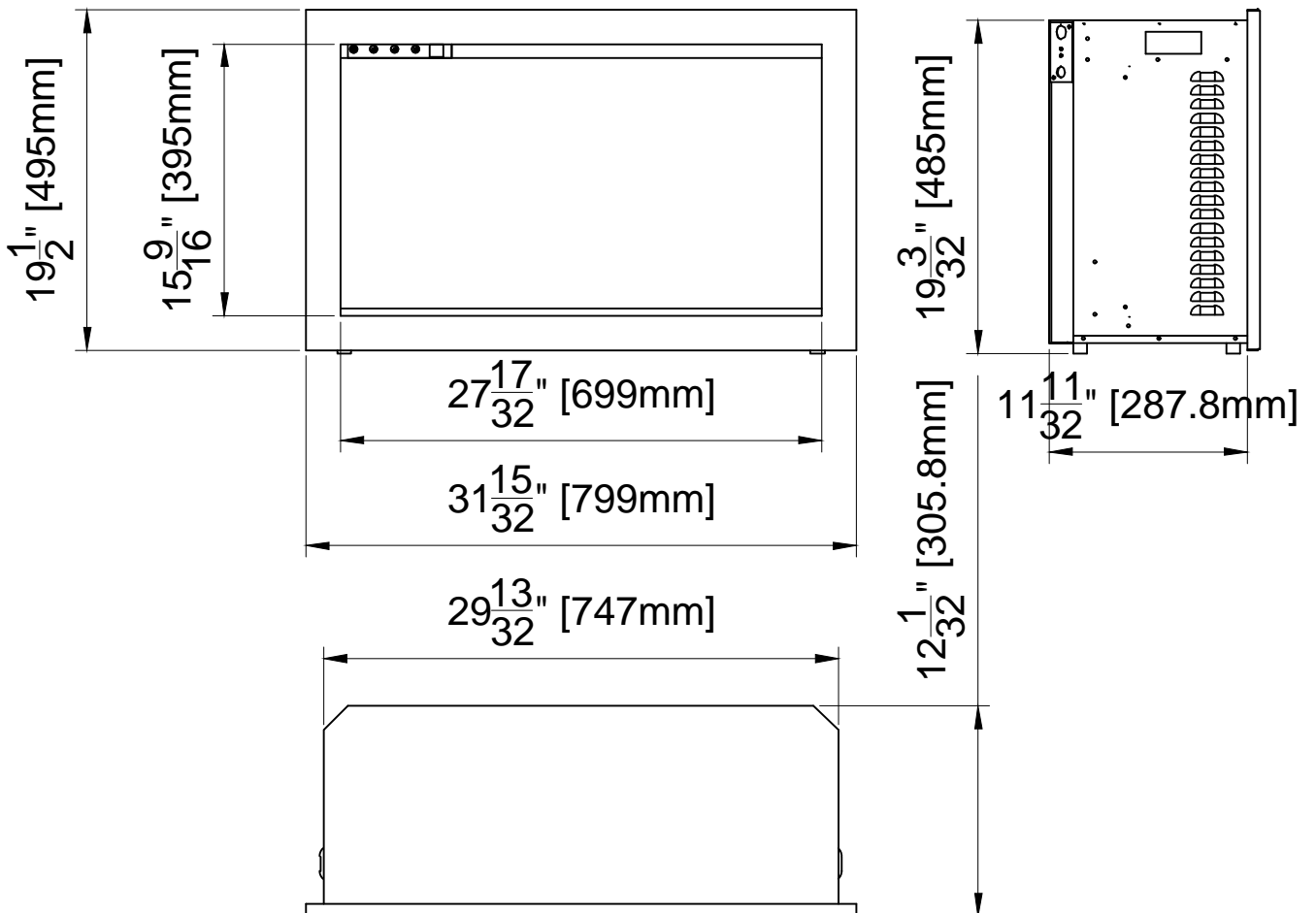


# TRD - 30

Description	ELECTRIC FIREPLACE
Voltage	120V AC 60Hz
Watts	1200W Max
NO HEATER	22W
MOTOR HEATER	19W
Appliance Width	29 13/32" or 74.7 cm
Appliance Height	19 3/32" or 48.5 cm
Appliance Depth	11 11/32" or 28.78 cm
Gross Weight	68.6 lbs or 31.1 kgs
Plug Location	Left side
Cord Length	70 7/8" or 180 cm
Rough Wall Opening Size	30 3/8" x 19 7/32" 77.24 cm x 48.81 cm
BTU	4095

This appliance has been tested in accordance with the UL Standard 2021 for fixed and location dedicated electric room appliances in the United States and Canada. If you need assistance during installation, please contact your local dealer.

**NOTE: This appliance must be electrically wired and grounded in accordance with local codes. In the absence of local codes, use the current CSA C22.1 Canadian Electrical Code in Canada or the ANSI/NFPA 70 National Electrical Code in the United States.**

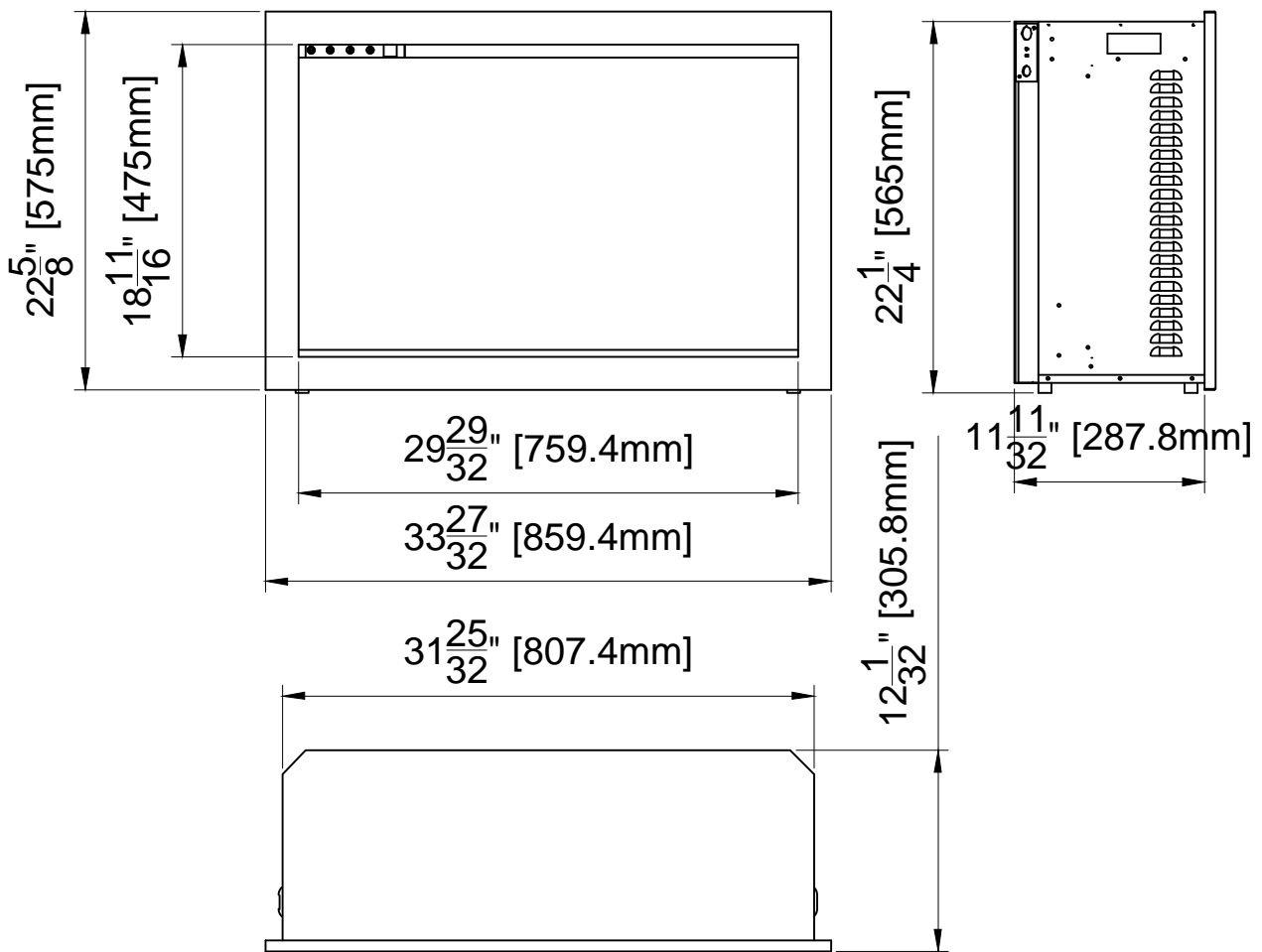


TRD - 33

Description	ELECTRIC FIREPLACE
Voltage	120V AC 60Hz
Watts	1200W Max
NO HEATER	22W
MOTOR HEATER	19W
Appliance Width	31 25/32" or 80.74 cm
Appliance Height	22 1/4" or 56.5 cm
Appliance Depth	11 3/8" or 28.8 cm
Gross Weight	78 lbs or 35.4 kgs
Plug Location	Left side
Cord Length	70 7/8" or 180 cm
Rough Wall Opening Size	32 3/4" x 22 3/8" 83.24 cm x 56.83 cm
BTU	4095

This appliance has been tested in accordance with the UL Standard 2021 for fixed and location dedicated electric room appliances in the United States and Canada. If you need assistance during installation, please contact your local dealer.

**NOTE: This appliance must be electrically wired and grounded in accordance with local codes. In the absence of local codes, use the current CSA C22.1 Canadian Electrical Code in Canada or the ANSI/NFPA 70 National Electrical Code in the United States.**

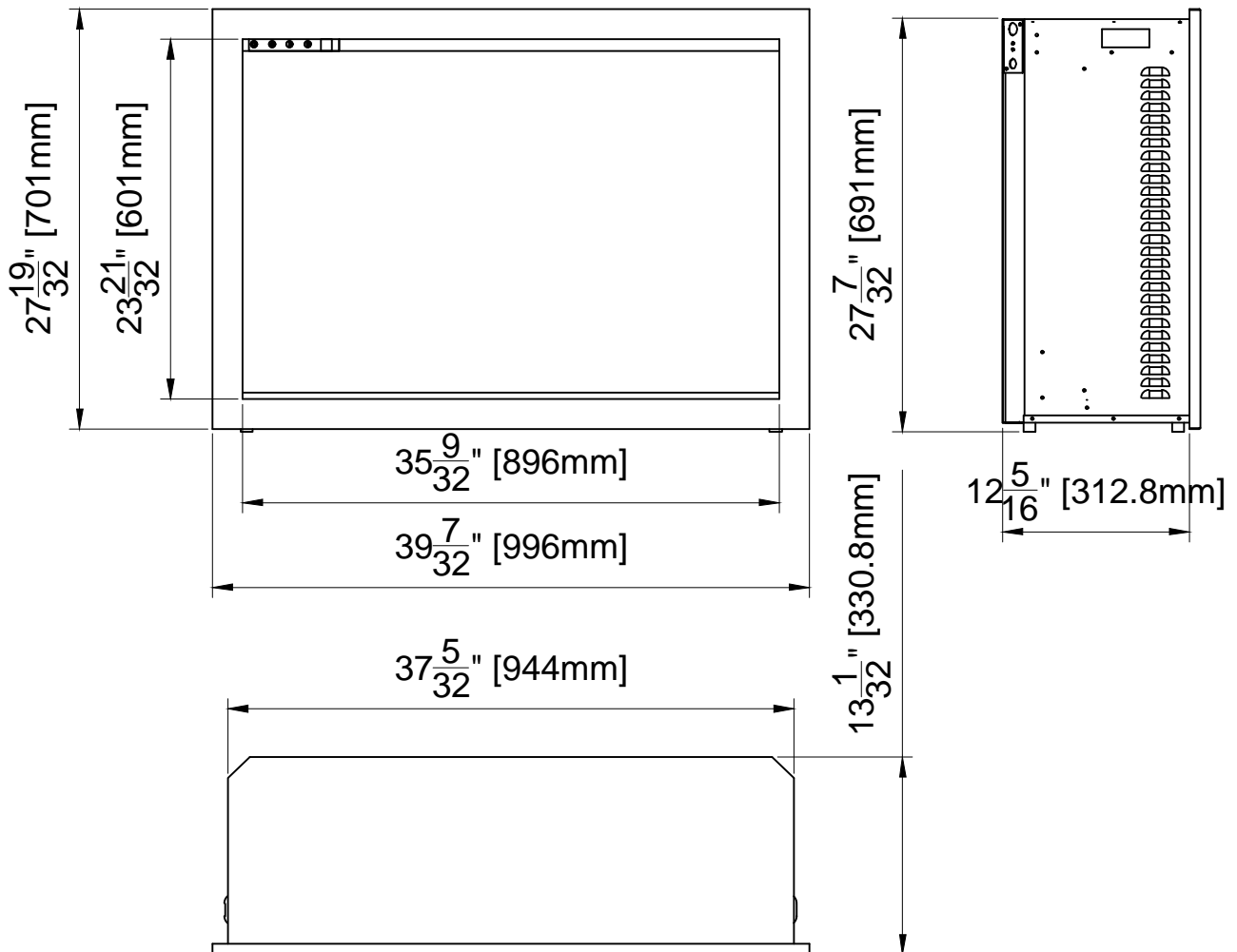


# TRD - 38

Description	ELECTRIC FIREPLACE
Voltage	120V AC 60Hz
Watts	1200W Max
NO HEATER	22W
MOTOR HEATER	19W
Appliance Width	37 5/32" or 94.4 cm
Appliance Height	27 7/32" or 69.1 cm
Appliance Depth	12 5/16" or 31.28 cm
Gross Weight	101.4 lbs or 46 kgs
Plug Location	Left side
Cord Length	70 7/8" or 180 cm
Rough Wall Opening Size	38 1/8" x 27 11/32" 96.94 cm x 69.45 cm
BTU	4095

This appliance has been tested in accordance with the UL Standard 2021 for fixed and location dedicated electric room appliances in the United States and Canada. If you need assistance during installation, please contact your local dealer.

**NOTE: This appliance must be electrically wired and grounded in accordance with local codes. In the absence of local codes, use the current CSA C22.1 Canadian Electrical Code in Canada or the ANSI/NFPA 70 National Electrical Code in the United States.**



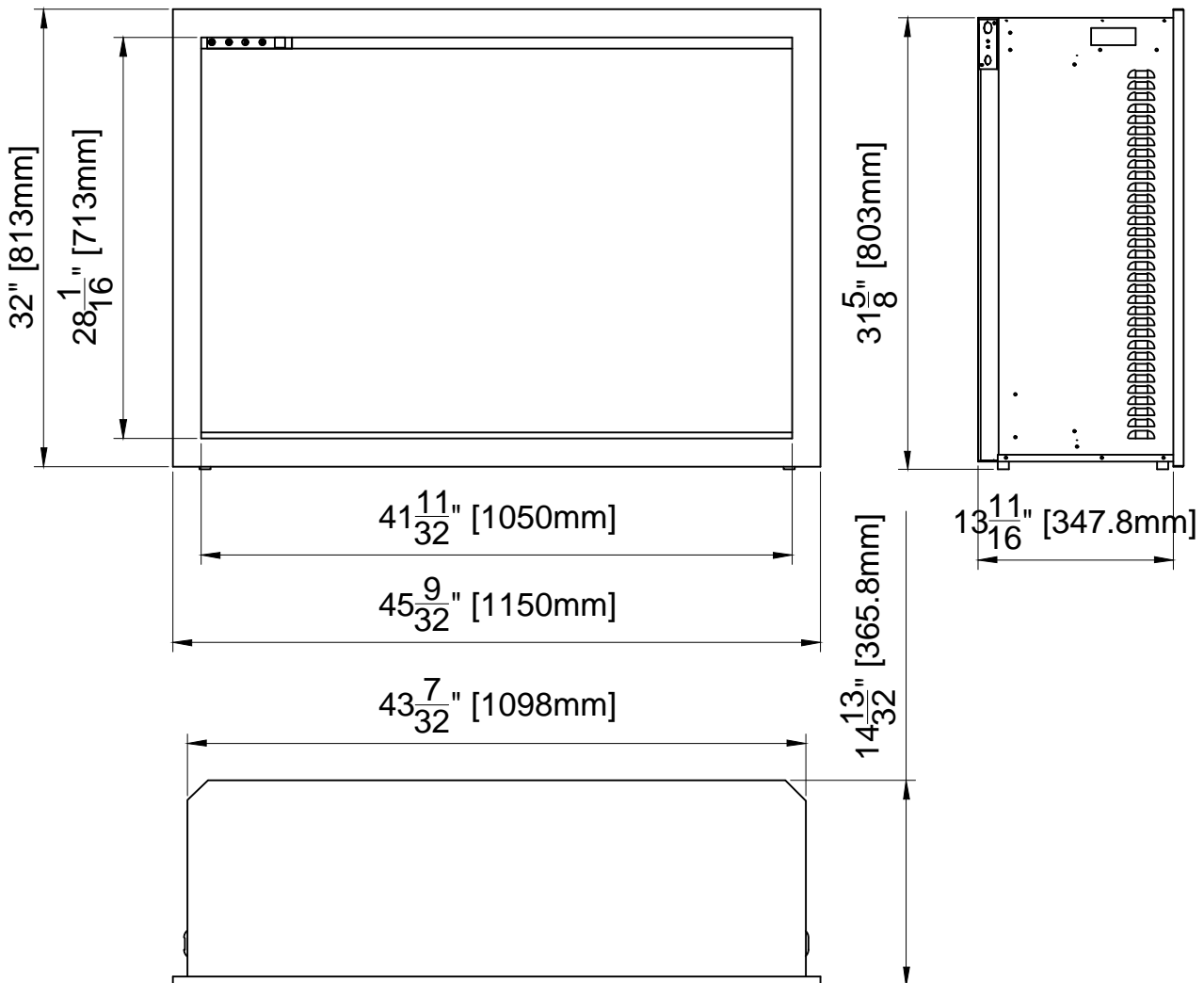


# TRD - 44

Description	ELECTRIC FIREPLACE
Voltage	120V AC 60Hz
Watts	1200W Max
NO HEATER	22W
MOTOR HEATER	19W
Appliance Width	43 7/32" or 109.8 cm
Appliance Height	31 5/8" or 80.3 cm
Appliance Depth	13 11/16" or 34.78 cm
Gross Weight	133.8 lbs or 60.7 kgs
Plug Location	Left side
Cord Length	70 7/8" or 180 cm
Rough Wall Opening Size	44 1/4" x 31 3/4" 112.34 cm x 80.65 cm
BTU	4095

This appliance has been tested in accordance with the UL Standard 2021 for fixed and location dedicated electric room appliances in the United States and Canada. If you need assistance during installation, please contact your local dealer.

**NOTE: This appliance must be electrically wired and grounded in accordance with local codes. In the absence of local codes, use the current CSA C22.1 Canadian Electrical Code in Canada or the ANSI/NFPA 70 National Electrical Code in the United States.**

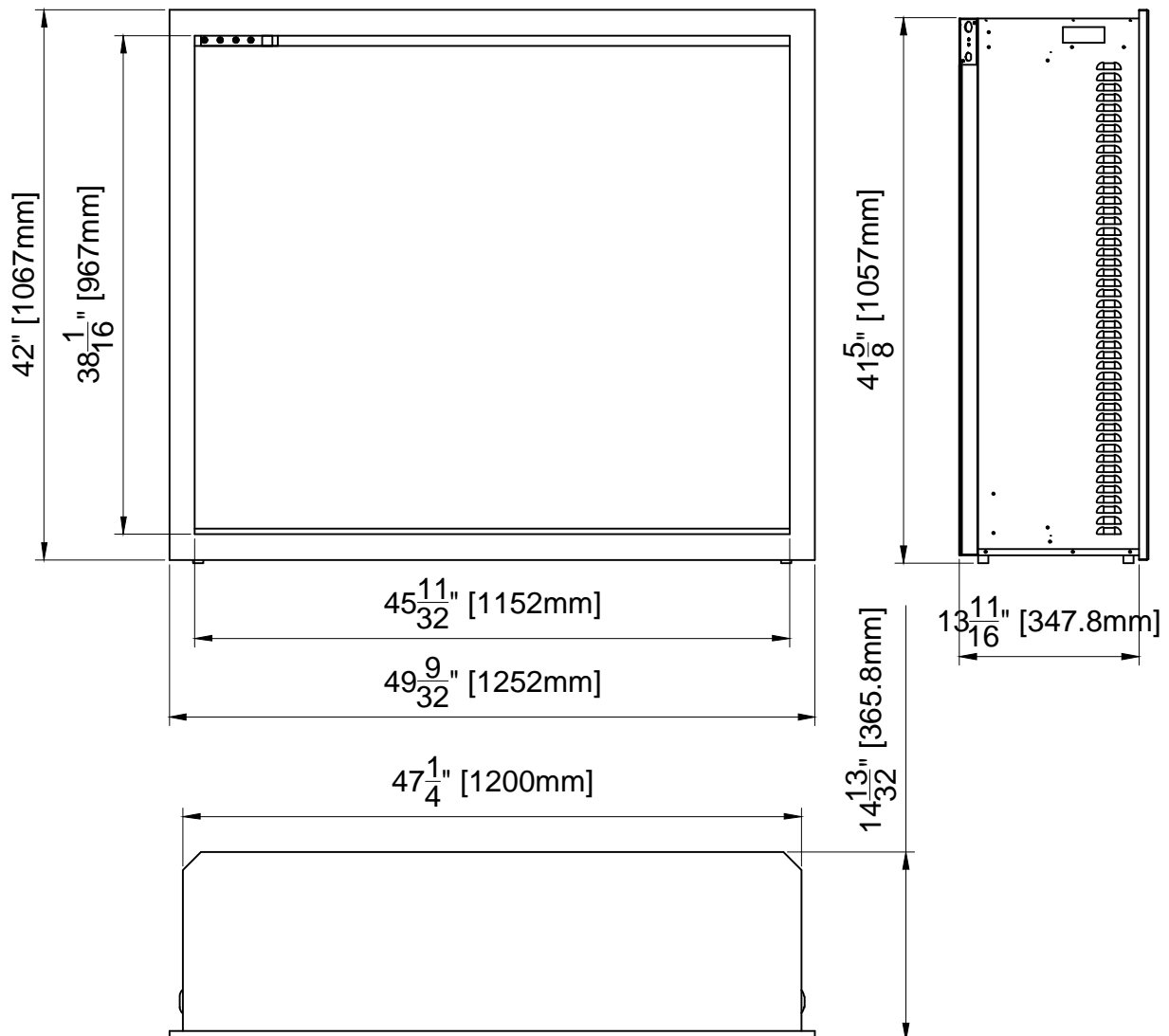


# TRD - 48

Description	ELECTRIC FIREPLACE
Voltage	120V AC 60Hz
Watts	1200W Max
NO HEATER	22W
MOTOR HEATER	19W
Appliance Width	47 1/4" or 120 cm
Appliance Height	41 5/8" or 105.7 cm
Appliance Depth	13 11/16" or 34.78 cm
Gross Weight	170.4 lbs or 77.3 kgs
Plug Location	Left side
Cord Length	70 7/8" or 180 cm
Rough Wall Opening Size	48 1/4" x 41 3/4" 122.54 cm x 106.05 cm
BTU	4095

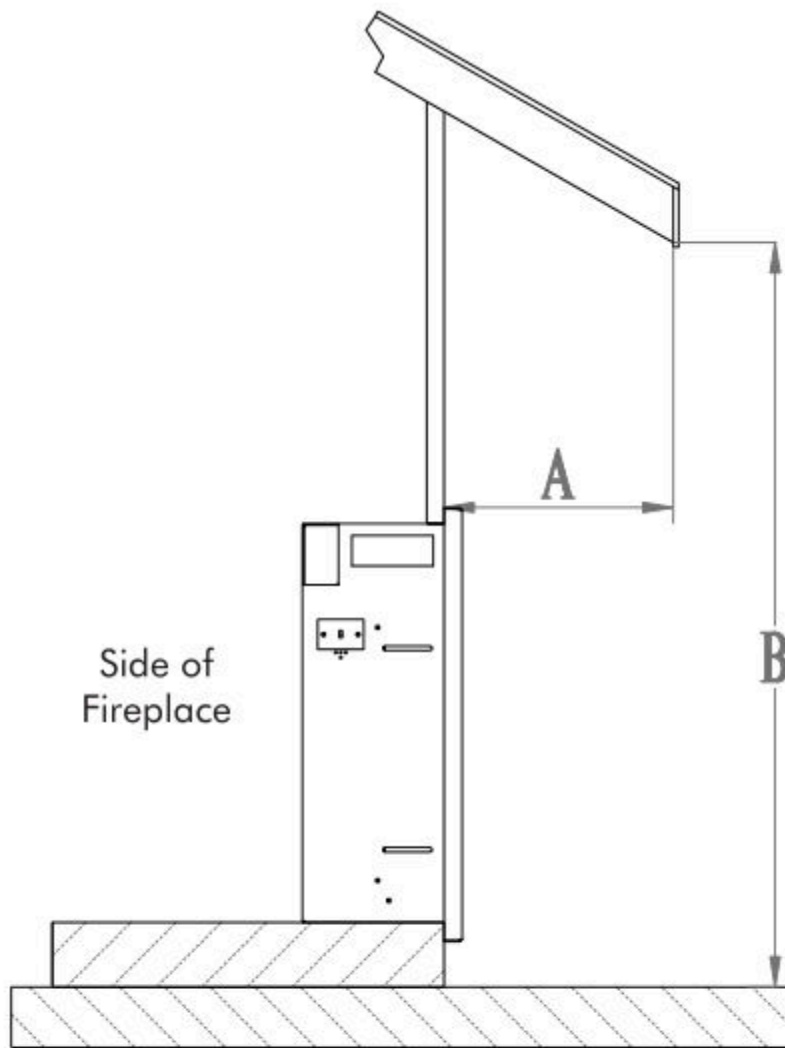
This appliance has been tested in accordance with the UL Standard 2021 for fixed and location dedicated electric room appliances in the United States and Canada. If you need assistance during installation, please contact your local dealer.

**NOTE: This appliance must be electrically wired and grounded in accordance with local codes. In the absence of local codes, use the current CSA C22.1 Canadian Electrical Code in Canada or the ANSI/NFPA 70 National Electrical Code in the United States.**



## OUTDOOR INSTALLATIONS

The TRD series electric fireplaces are suitable for installation in outdoor areas protected from direct water impingement. In addition to maintaining the listed mantel and combustibles clearances, a rain protection overhang factor of 1/2 shall be constructed to the front and to each side of the installed appliance. See illustration below. All wiring connections to line power shall be in accordance with local building code requirements. Inquires about local codes and regulations must be done prior to installation.



The overhang (A) must extend at least 1/2 the roof-line height. Height is measured from the base of the fireplace.

For example: if the roof-line (B) is 8' above the base of the fireplace, the overhang (A) must be at least 4'.

## INSTALLATION- BUILT-IN

NOTE: Due to the many different materials used to build walls, it is highly recommended that you consult your local builder before you install this appliance on a wall.

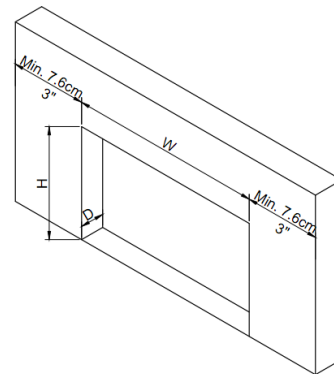
### Preparation

1. Select a location that is not prone to moisture and is located at least 0.91m or 3 feet away from combustible materials such as curtains, drapes, furniture, bedding, paper, etc.
2. Mark the desired location on the floor and store the appliance in a safe, dry and dust free place.
3. Prepare a wall with a framed opening to accommodate the size of your unit. Leave at least 1/4" (6mm) around the edge of the appliance. Any new wiring must be done in compliance with local and national codes and other applicable regulations.

Prior to installing, test the appliance to make sure the appliance is fully operational by plugging the power supply cord into a 120 Volt grounded outlet.

The rough wall opening size of the fireplace:

	W(“)	D(“)	H(“)
TRD-26	26 1/4	12 3/8	16 27/32
TRD-30	30 3/8	12 3/8	19 7/32
TRD-33	32 3/4	12 3/8	22 3/8
TRD-38	38 1/8	13 3/8	27 11/32
TRD-44	44 1/4	14 3/4	31 3/4
TRD-48	48 1/4	14 3/4	41 3/4

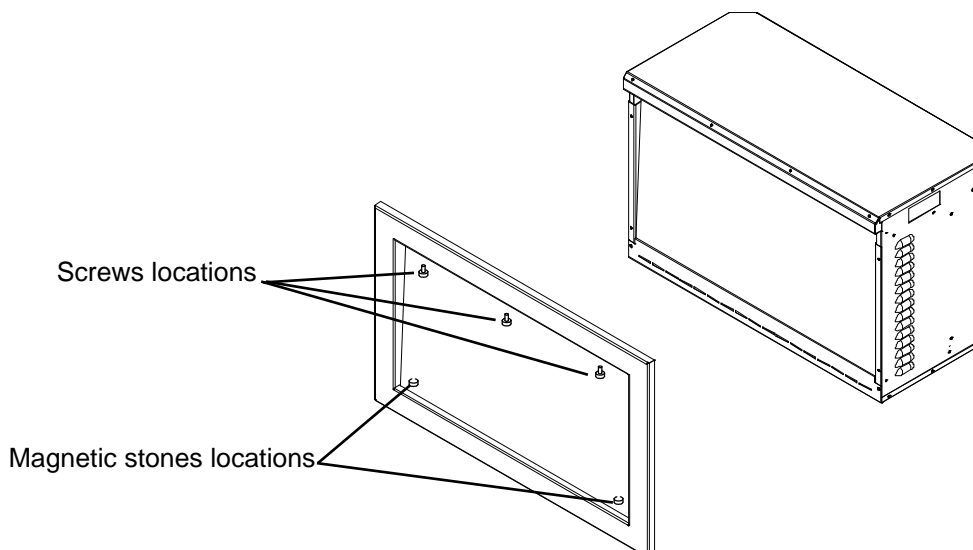


## INSTALLATION

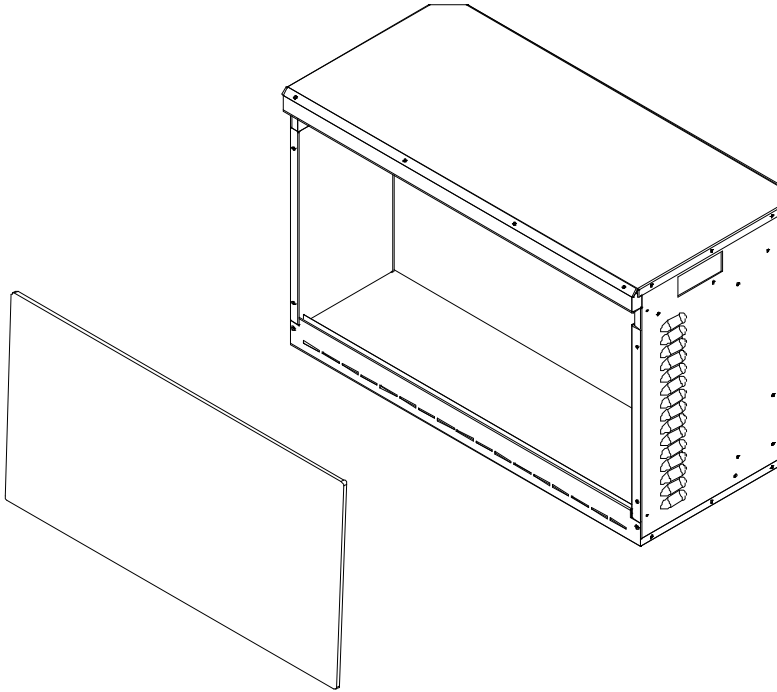
**NOTE:** Fireplace removal should be a simple process. The reason for removal of a fireplace may vary and include changing the PCB, heater and fan.

Take note of the air intake vent located at the bottom and behind the front trim.

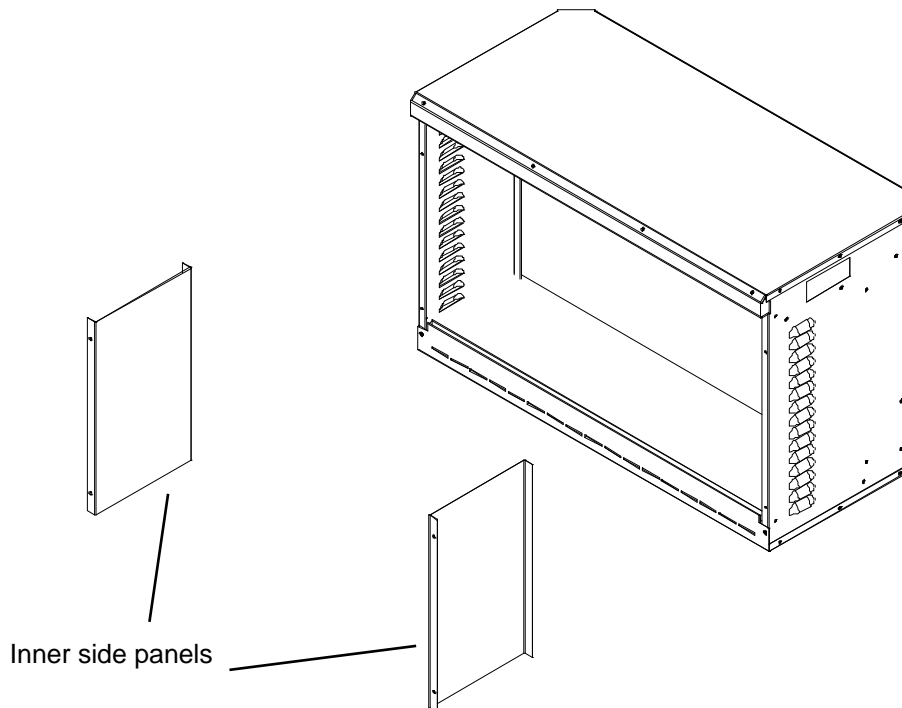
1. Unscrew 4 screws and take off the trim. (NOTE: Keep hold of the front glass as it may fall down automatically when the trim is removed.)



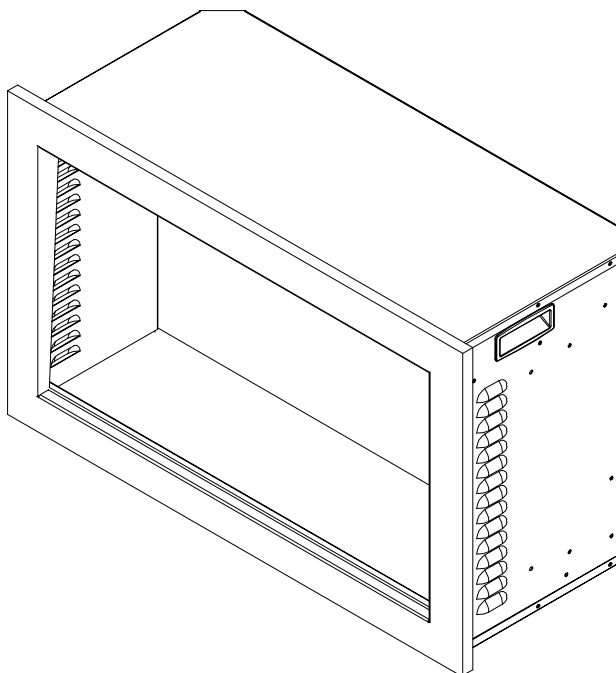
2. When the trim is removed, take off the front glass panel.



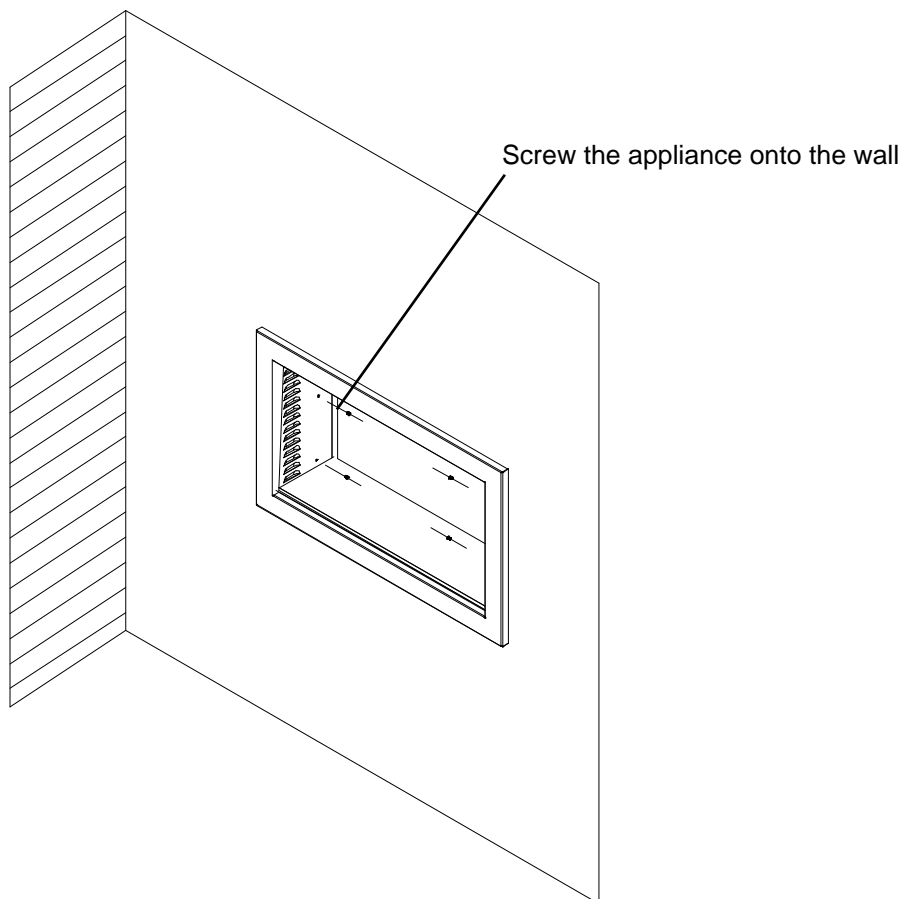
3. Unscrew the screws located on each side and take off the inner side steel panels.



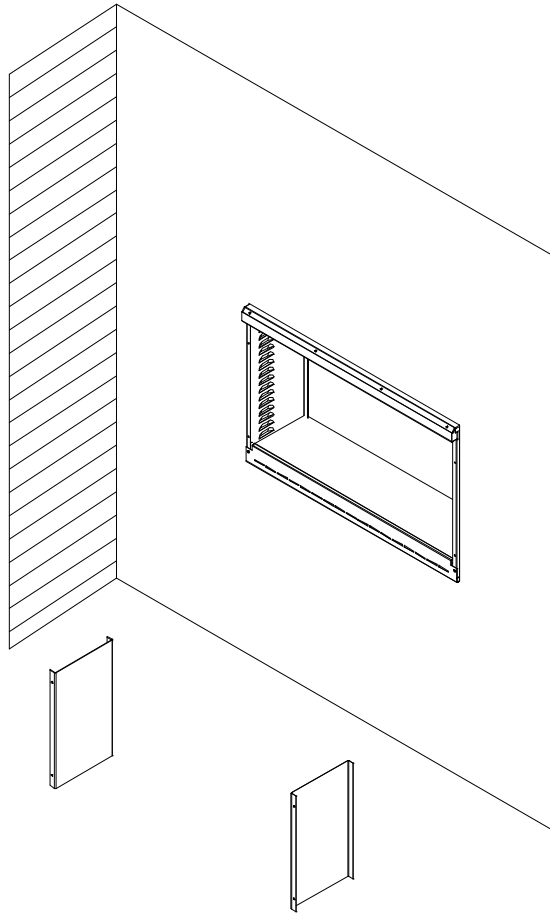
4. Put the trim back onto the appliance and fasten with screws.(NOTE: This step is to make sure that the fireplace fits the wall opening well and there is no gap between the trim and the wall after installation)



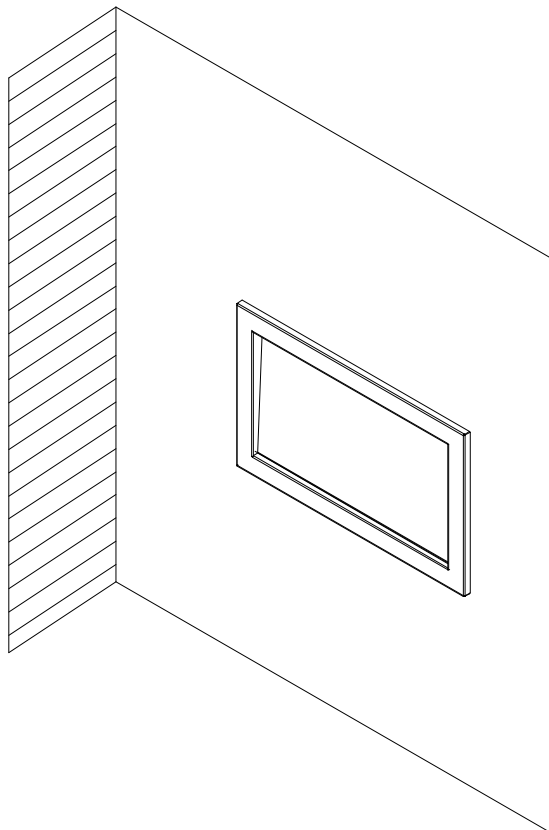
5. Put the fireplace into the wall opening and fix it to the wall by screwing 2 screws each side.



6. Remove the trim following STEP 1. Screw back the inner side steel panels.



7. Put back the front glass panel and screw back the trim after you finish the media decoration.



## HARD- WIRE INSTALLATION

Turn off the appliance completely and let cool before servicing. Only a qualified technician should service and repair this electric appliance.

If it is necessary to hard wire this appliance, a qualified electrician must remove the cord connection and wire the appliance directly to the household wiring .

This appliance must be electrically connected and grounded in accordance with local codes, if hard wired. In the absence of local codes, use the current CSA C22.1 CANADIAN ELECTRICAL CODE in Canada or the current ANSI/NFPA 70 NATIONAL ELECTRICAL CODE in the United States.

1. Remove the cover plate from the left side of the appliance by removing the two screws, as shown below. Unscrew and remove power cord.



2. Attach the wiring to the junction block. Please make sure the live wire goes into the "L", the neutral wire into "N" and the ground wire into "G".



3. Replace the steel plate and screws.



## MEDIA OPTIONS

Your fireplace ships with a 10 piece Birch Log Set, Charcoal Grey Real Fireglass, one (1) bag of Black Vermiculite and one (1) bag of White Vermiculite.

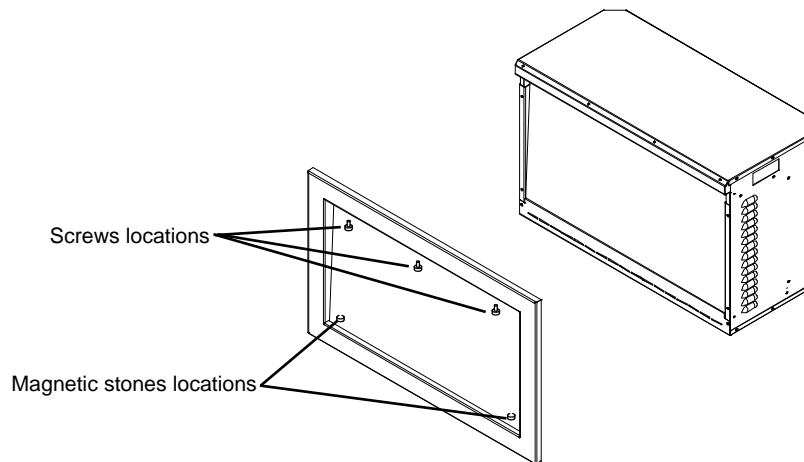
CHARCOAL GREY REAL  
FIREGLASS      VERMICULITE



10-PIECE BIRCH LOG SET

## MEDIA INSTALLATION

Unscrew 4 screws and take off the trim. (NOTE: Keep hold of the front glass as it may fall down automatically when the trim is removed.)



## INSTALLING THE DECORATIVE MEDIA

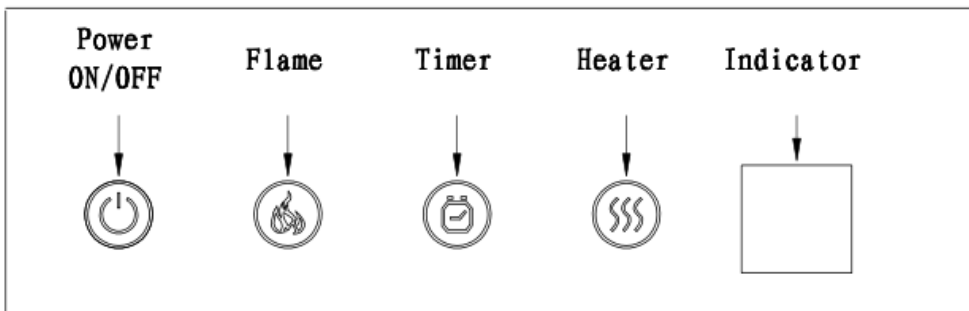
Pour the fire glass media into the tray. Feel free to use any combination of the fire glass media that you find most appealing. Put back the trim and front glass after you finish installing the fire glass.

## OPERATION

The fireplace can be operated either by the touch panel located on the left front top side of the fireplace, or by supplied remote control.

Plug the fireplace into a 15 Amp wall socket.

## MANUAL OPERATION

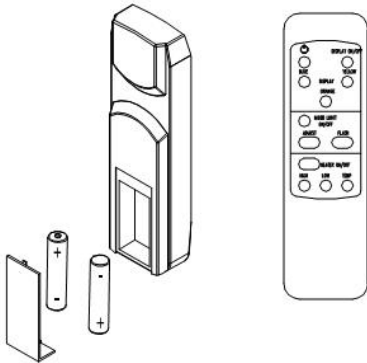


1. Press “ ” to turn on and off the appliance.
2. Press “ ” multiple times to adjust between mid, low, on/off, or high brightness options.
3. Press “ ” multiple times to set operating duration to 30 min, 1h, 2h, 3h, 4h, 5h, 6h, 7h, 8h, or off. . . .
4. Press “ ” multiple times to set ambient temperatures at 18°C(64°F), 19°C(66°F), 20°C(68°F), 21°C(70°F), 22°C(72°F), 23°C(73°F), 24°C(75°F), 25°C(77°F), 26°C(79°F), 27°C(81°F), 28°C(83°F), ON or OFF. When setting the temperature, the number will flash.
5. Keep and hold “ ” for 5 seconds to switch between Celsius and Fahrenheit.

## SAFETY CUT-OFF

- This appliance is fitted with a safety cut-off which will operate if the fireplace overheats (e.g. Due to blocked air vents). For safety reasons, the fireplace will NOT automatically reset.
- To reset the appliance, disconnect the appliance from the main supply for at least 10 minutes. Reconnect the supply to the main and switch on the appliance.

## REMOTE CONTROL OPERATION



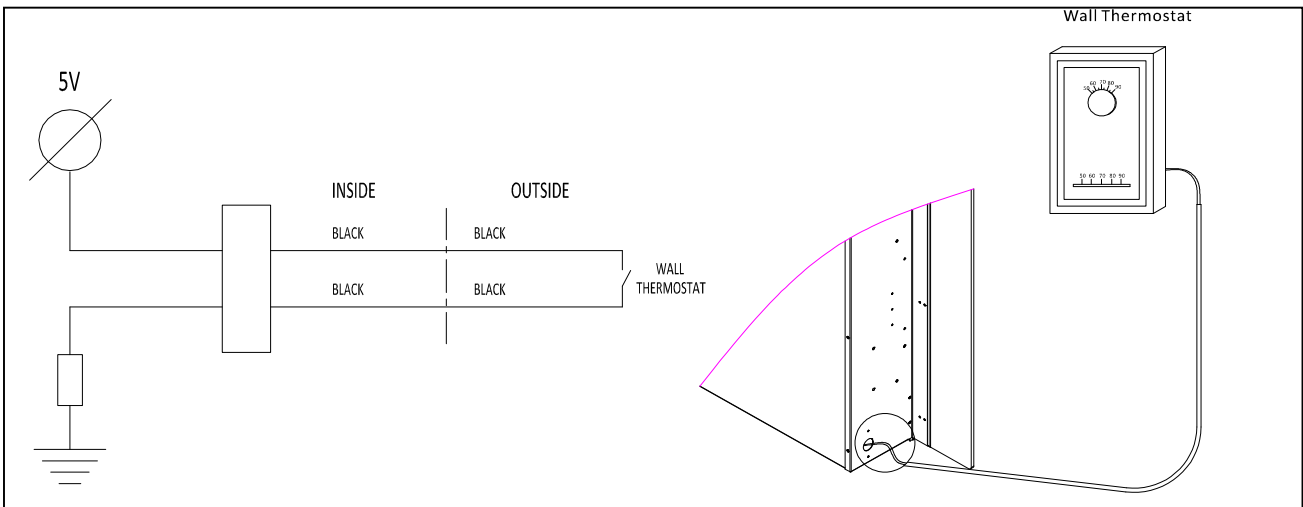
For remote to function make sure the heater is plugged in and the main power switch located on the bottom left hand side is at position I.

Important: When operating the remote make sure you point the remote to the center of the fireplace each time you press the button. There will be a beep tone emitted. There can be a slight delay for the receiver to respond to the transmitter. Do not PRESS the buttons more than once within two seconds for correct operation.

	<b>Power on</b>	The power-on button at top left corner of the remote is the mains ON/OFF power button. This will turn off all the functions and the fireplace will be in standby mode.
	<b>DISPLAY ON/OFF</b>	Turns the fireplace flame and tray light ON/OFF. It will recall the last settings used on the fireplace.
	<b>BLUE</b>	Each click adjusts the intensity of the blue flame. Use alone or in addition to yellow and/or orange.
	<b>YELLOW</b>	Each click adjusts the intensity of the yellow flame. Use alone or in addition to blue and/or orange.
	<b>ORANGE</b>	Each click adjusts the intensity of the orange flame. Use alone or in addition to yellow and/or blue.
	<b>MOOD LIGHT ON/OFF</b>	Turns the ambient canopy lighting ON/OFF
	<b>ADJUST</b>	Rotates through the 13 colors of the ambient canopy lighting.
	<b>FLASH</b>	Turns the mood light into flash mode, this cycles through all 13 mood light colors.
	<b>HEATER ON/OFF</b>	Turns the heater ON/OFF. It will recall the last settings used on the fireplace.
	<b>HIGH</b>	Press the high button to switch the heater to high heat setting 1000W
	<b>LOW</b>	Press the low button to switch the heater to low heat setting 500W
	<b>TEMP</b>	Each click adjusts the temperature range from 18°C - 28°C (64°F - 83°F). Once the desired temperature is chosen, the fireplace will maintain the temperature +/- 2°C

# INSTALLING WALL THERMOSTAT

## WALL THERMOSTAT WIRING DIAGRAMS

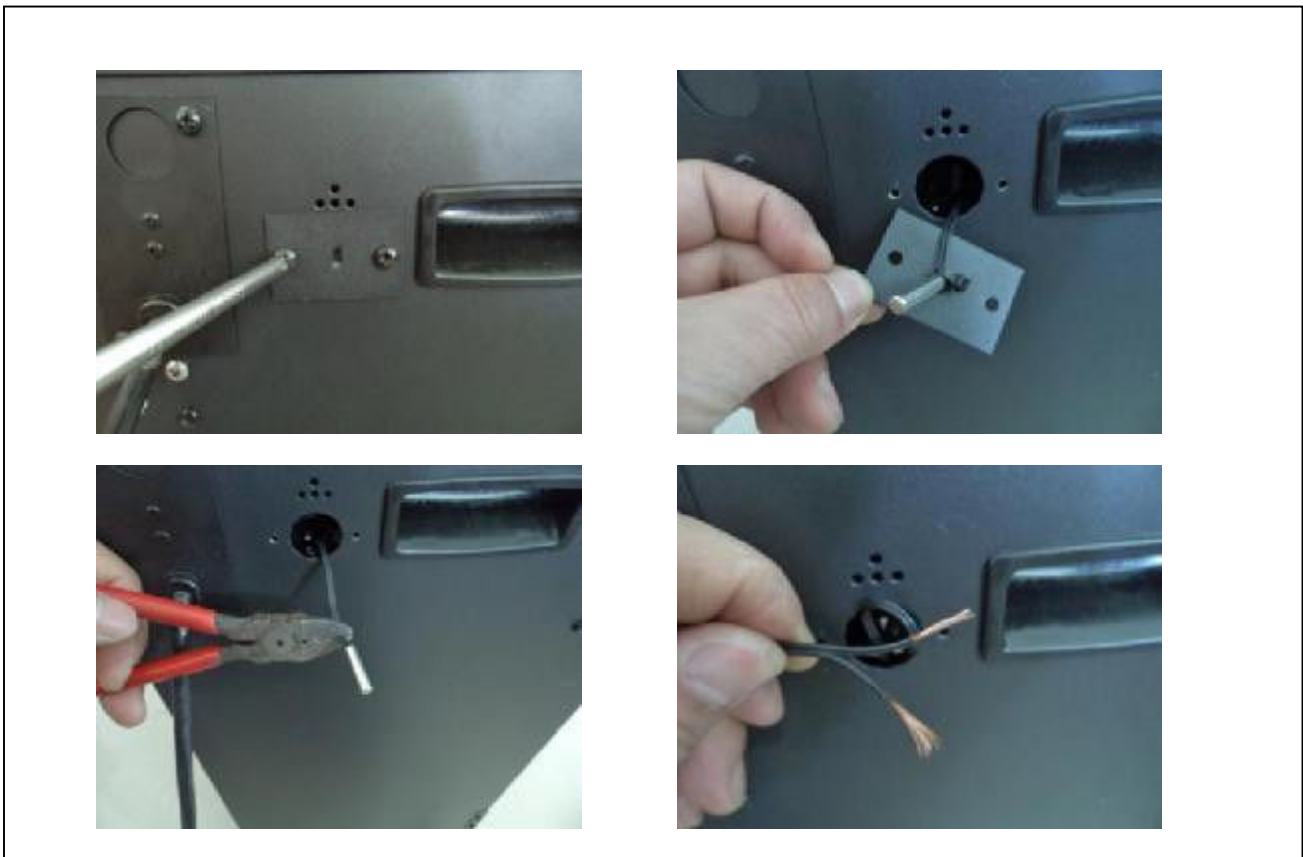


**Wire the wall thermostat prior to installing the fireplace.**

### WALL THERMOSTAT WIRING (24 AWG)

**Install Wall Thermostat per instructions provided with kit and per the following information:**

1. Turn off circuit breaker.
2. Remove cover plate located on the left side of appliance.
3. Pull the wire out and cut the inside thermostat. Connect the wires to the wall thermostat as shown below. Follow instructions provided with wall switch kit.



## REPLACEMENT PARTS

This list contains replacement parts

NO.	PART NUMBER			DESCRIPTION	QTY
	TRD-26	TRD-30	TRD-33		
1	10702245	10702247	10702249	BOTTOM GLASS	
2	10701375	10701376	10701377	FRONT CLEAR GLASS	
3	3215501	3216501	3217501	TRIM	
4				SIDE STEEL PANEL	
5	10702244	10702246	10702248	BACK GLASS	
6				BOX	
7	301506			REMOTE RECEIVER	
8	601094H			CIRCUIT BOARD	
9	602130B			BLOWER AND HEATER ASSEMBLY	
10	10101225			FLAME MOTOR	
11	3085504E	3087504E	3089504E	FLICKER ASSEMBLY	
12	601136B	601136B	601136B	LED STRIP	2/2/2
12	601141B	601141B	601141B	LED STRIP	2/2/2
12				LED STRIP	
13	10125025			CANOPY LIGHT	
14	10105063			REMOTE CONTROL	
15	601300C			TOUCH PANEL	

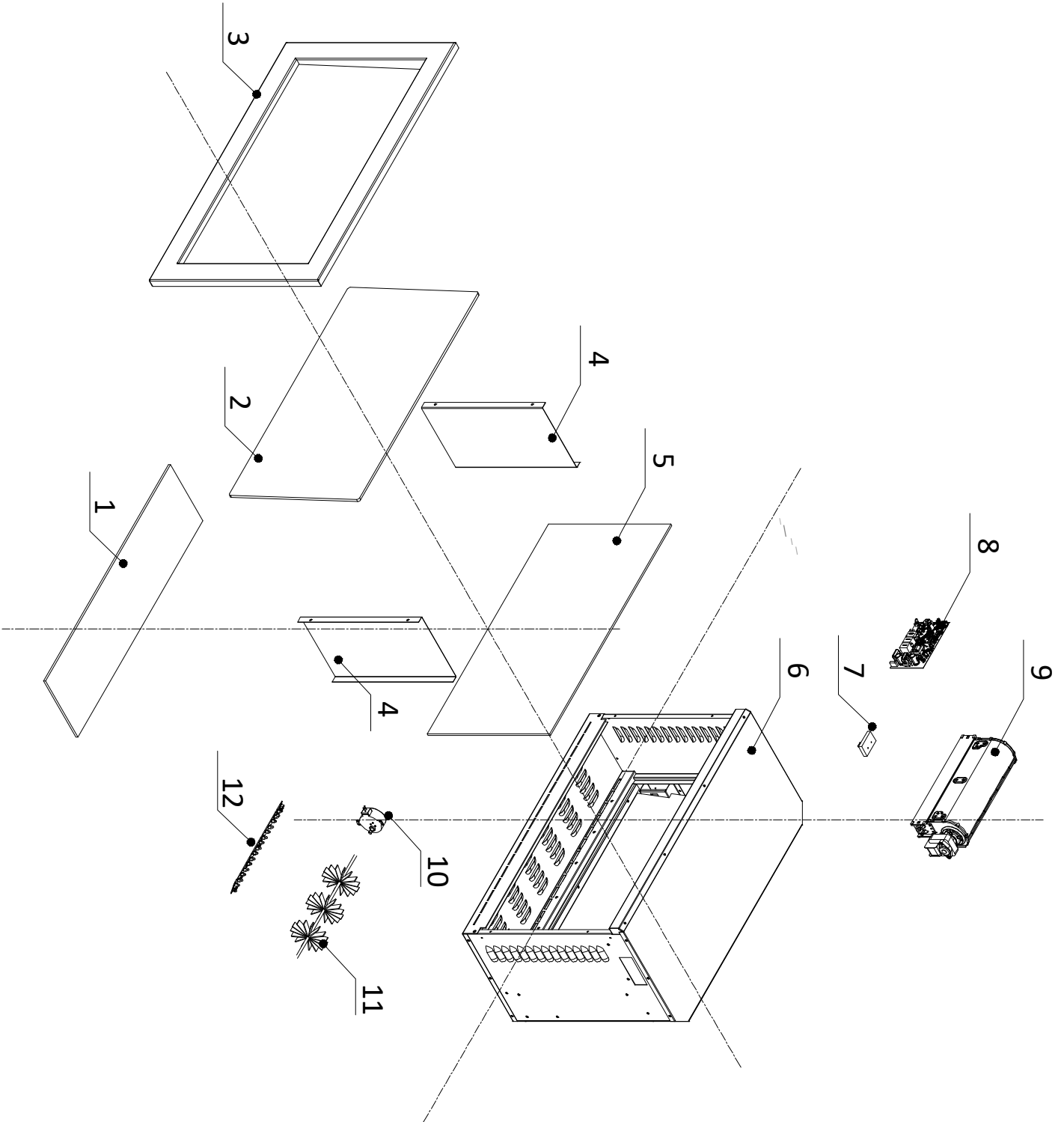
\*Remote control, canopy light and touch panel are not shown in the exploded view.

This list contains replacement parts

NO.	PART NUMBER			DESCRIPTION	QTY
	TRD-38	TRD-44	TRD-48		
1	10702251	10702253	10702255	BOTTOM GLASS	
2	10701378	10701379	10701380	FRONT CLEAR GLASS	
3	3218501	3219501	3220501	TRIM	
4				SIDE STEEL PANEL	
5	10702250	10702252	10702254	BACK GLASS	
6				BOX	
7	301506			REMOTE RECEIVER	
8	601095D			CIRCUIT BOARD	
9	602130B			BLOWER AND HEATER ASSEMBLY	
10	10101225			FLAME MOTOR	
11	3218507	3219507	3220507	FLICKER ASSEMBLY	
12	601136B	601136B	601136B	LED STRIP	3/2/2
12		601137B	601137B	LED STRIP	0/1/1
12	601141B	601141B	601141B	LED STRIP	3/3/3
13	10125019	10125021	10125021	CANOPY LIGHT	
14	10105063			REMOTE CONTROL	
15	601300C			TOUCH PANEL	

\*Remote control, canopy light and touch panel are not shown in the exploded view.

# EXPLODED VIEW



## TROUBLE SHOOTING

PROBLEM	POSSIBLE CAUSE	SOLUTION
Dim or no flame	Flame LED's are burnt out.	Inspect the LED's and replace them if necessary.
	Back black cloth is falling off and rolled up in the flicker.	Change a flicker and back black cloth.
Ember bed is not glowing or dimming	Ember LED's are burnt out	Inspect the ember bed LED's and replace them if necessary.
Appliance turns off and will not turn on	Appliance has overheated, and safety device has caused the thermal switch to disconnect.	Turn off the main switch, allow appliance to cool for 10 minutes, turn back on.
	House circuit breaker has tripped.	Reset house circuit breaker.
	Appliance's fuse has blown.	Replace the fuse.
Appliance will not come on when switch is flipped to ON	Appliance is not plugged into an electrical outlet.	Check plug and plug in.
	Appliance has overheated and safety device has caused the thermal switch to disconnect.	Turn off the main switch, allow appliance to cool for 10 minutes, turn back on.
	Circuit board is burnt out.	Inspect the circuit board and replace it if necessary.
No warm air coming out of appliance	Heater is burnt out.	Inspect the burner and heater assembly and replace it if necessary.
Flame sputters	Flame motor is defective.	Call a qualified service technician and replace flame motor.
Remote Control does not work.	Low batteries. Unit switch in "O" position.	Replace AAA batteries in remote control. Turn the switch in "I" position.
Flame is fixed.	Wiring may be loose or the flame motor may be defective.	



# SERVICE HISTORY

This heater must be serviced annually depending on usage.

Date	Dealer Name	Service Name	technician	Service Performed	Special Concerns

## NOTES:

---

---

---

---

---

---

---

---

---

---

---

## WARRANTY FOR PRODUCTS MANUFACTURED AFTER JANUARY 1st, 2016

Amantii Imports Corp. ("Amantii ") warrants that your newly purchased Amantii electric fireplace is free from manufacturing and material defects for a period of two (2) years from the date of the first purchase, subject to the conditions and limitations contained below.

### Warranty Application & Exclusions

This limited warranty applies to your newly purchased Amantii electric fireplace; the limited warranty's application is limited to purchases made in any province of Canada or in any of the 52 States of the United States of America, including the District of Columbia. Only the original purchaser of the product is eligible for coverage under this limited warranty; the warranty is not transferable.

### Products excluded from this limited warranty

Light bulbs are not covered by this limited warranty and are the sole responsibility of the owner/ purchaser. Amantii does not cover service or labor charges.

### Warranty Coverage and Term

Products covered by this limited warranty have been tested and inspected prior to shipment and, subject to the provisions of this warranty, Amantii warrants such products to be free from defects in material and workmanship for a period of two (2) years from the date of the first purchase of such products.

The limited two (2) year warranty period for products also applies to any implied warranties that may exist under applicable law. Some jurisdictions do not allow limitations on how long an implied warranty lasts, so the above limitation may not apply to the purchaser.

All other warranties-expressed or implied-with respect to the product, its components and accessories or any obligation/liabilities on the part of Amantii are hereby expressly excluded.

### Limitations to Coverage Under Limited Warranty

This limited warranty does not apply to products that have been repaired, except by Amantii or its authorized service representatives, or otherwise altered. This limited warranty further does not apply to defects resulting from misuse, abuse, accident, neglect, incorrect installation, improper maintenance or handling, or operation with an incorrect power source. Products made by other manufacturers, sold with the product or thereafter, are not covered by this limited warranty. The use of unauthorized components will render this warranty null and void.

### Panorama Outdoor Units

All Panorama units that are installed outdoors or in moisture intense conditions must use the stainless steel cover. Proof of purchase of the cover is required for any warranty claims.

### Defects

Defects must be brought to the attention of the selling dealer. Please have your proof of purchase, catalogue/model and serial numbers available when contacting dealer; any and all service under the limited warranty requires a proof of purchase of the product. Should a product or part covered by this limited warranty be proven to be defective, in material or workmanship, and during the two (2) year limited warranty period, Amantii will replace such defective product or part without charge. If Amantii is unable to replace such product, or if replacement is not commercially practicable or cannot be timely done, in its sole discretion Amantii may, in lieu of replacement, choose to refund the purchase price for such product or part. Amantii does not cover labor or service charges to replace said parts.

### Limitations

In no event will Amantii, including without limitation any of its directors, officers, shareholders, employees, consultants, agents, heirs, executors, administrators and assigns, be liable to the purchaser or any third party, whether in contract, in tort, or on any other basis for any indirect, special, punitive, exemplary, consequential, or incidental loss, cost or damage arising out of or in connection with the sale, maintenance, use or inability to use the product, even if Amantii, including without limitation any of its directors, officers, shareholders, employees, consultants, agents, heirs, executors, administrators and assigns, have been advised of the possibility of such losses, costs or damages, or if such losses, costs or damages are foreseeable. In no event will Amantii, including without limitation any of its directors, officers, shareholders, employees, consultants, agents, heirs, executors, administrators and assigns, be liable for any direct losses, costs or damages that exceed the purchase price of the product.

Some jurisdictions do not allow the exclusion or limitation of incidental or consequential damages, so the above limitation or exclusion may not apply to the purchaser.

### Application of Provincial and State Law

This limited warranty gives you specific legal rights, and you may also have other rights which vary from jurisdiction to jurisdiction. The provisions of the United Nations Convention on Contracts for the Sale of Goods shall not apply to this limited warranty or the sale of products covered by this limited warranty.

### General

Amantii reserves the right to make changes at any time without notice, in design, material, specifications, prices and the right to discontinue styles and products.